

Safety Relay H-466



Technical Data mechanical

General

- 4, 6, 8 or 10 contacts
- Forced guided contact set
- According to EN 50205, application type A
- Ambient temperature -25 ... +80 °C
- Soldering heat resistance 260 °C/5s
- RoHS compliance
- Signal relay according to UIC 736e
- Includes a pair of retaining clips

Connections

- Soldering pins for PCB, pre-soldered

Drive

- Direct current, AC-current upon request
- Current controlled or bistable on request

Approvals

- cULus • TÜV

Standards

- EN 50205 • IEC 61810-1 • UL 508

Dimensions L x W x H (in mm)

Size 1: 57,7 x 66,5 x 20,5

Size 2: 67,4 x 66,5 x 20,5

Size 3: 77,4 x 66,5 x 20,5

Size 4: 87,4 x 66,5 x 20,5

Shock resistance NO-contact/NC-contact

10/10 g, 16 ms Half sinus

Vibration resistance NO-contact/NC-contact

10/10 g, 10 – 55 Hz

Operating time NC-contact, contact opens

typical 17 ... 22 ms

Operating time NO-contact, contact closes

typical 23 ... 29 ms

Releasing time NO-contact, contact opens

typical 5 ms

Releasing time NC-contact, contact closes

typical 7 ms

Mechanical service life (without load)

>10⁷ cycles

Weight

Size 1: 105 g

Size 2: 120 g

Size 3: 125 g

Size 4: 135 g

Technical Data electrical

Max. switching capacity

AC 2.000 VA, DC *W

Max. switching voltage

AC 230/240 V, DC *V

Max. switching current NO-contact

10 A

Constant current I_{th2}

10 A for deliveries from 2008 on:

Constant current I_{th2} at the same time over 2 contacts

10,0 A 10.0 A

Constant current I_{th2} at the same time over 3 contacts

8,4 A 10.0 A

Constant current I_{th2} at the same time over 4 contacts

7,3 A 10.0 A

Constant current I_{th2} at the same time over 5 contacts

6,5 A 9.5 A

Constant current I_{th2} at the same time over 6 contacts

5,9 A 8.7 A

Constant current I_{th2} at the same time over 7 contacts

5,5 A 8.0 A

Constant current I_{th2} at the same time over 8 contacts

5,1 A 7.5 A

Switching capacity NO-contact AC-15 230/240 V

I_e = 4 A

DC-13 24 V

I_e = 2 A

Electrical service life (with nominal load)

>10⁵ cycles

Short-circuit capacity 1.000 A/AC 230 V

10 A gL/gG-fuse

* see DC-switching capacity

Insulation

Over voltage category (Ü) III

B-I = Basic insulation

Degree of pollution (V) 2

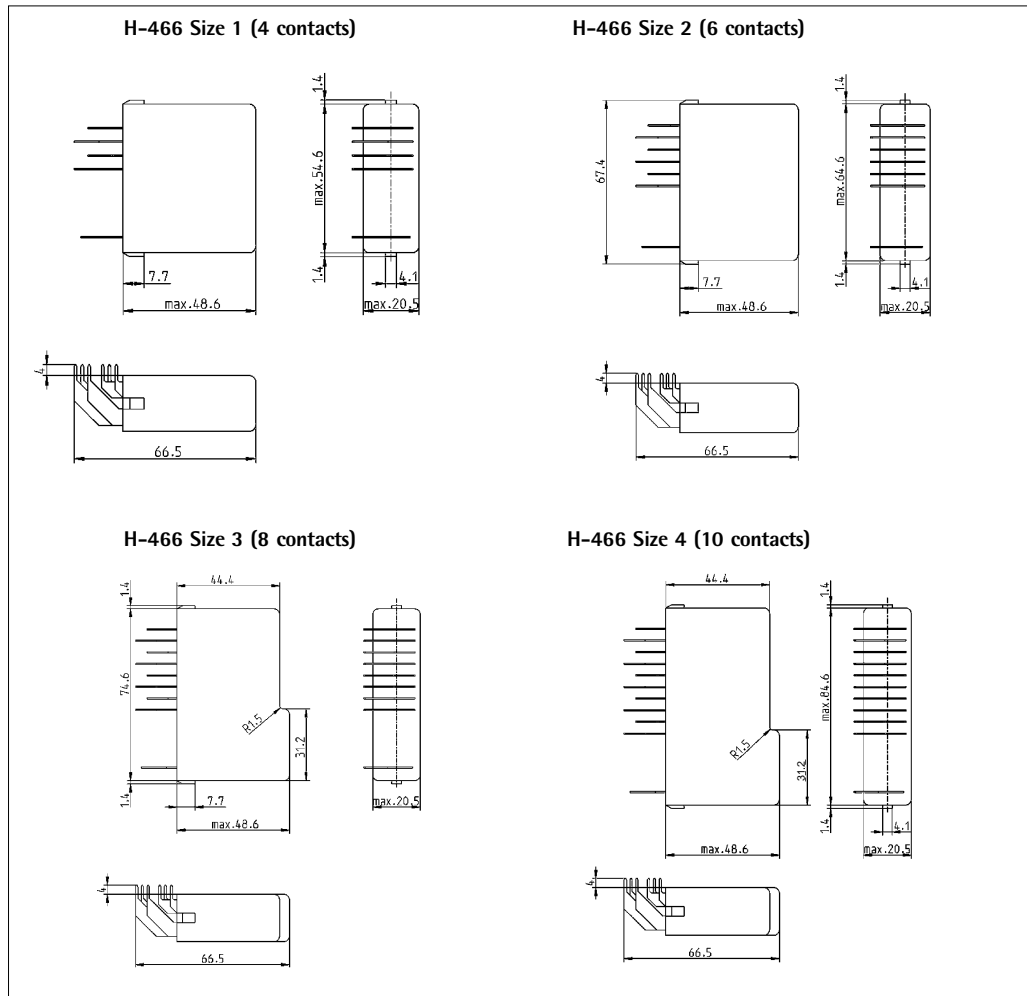
V-I = Reinforced (double) insulation

Insulating material group II

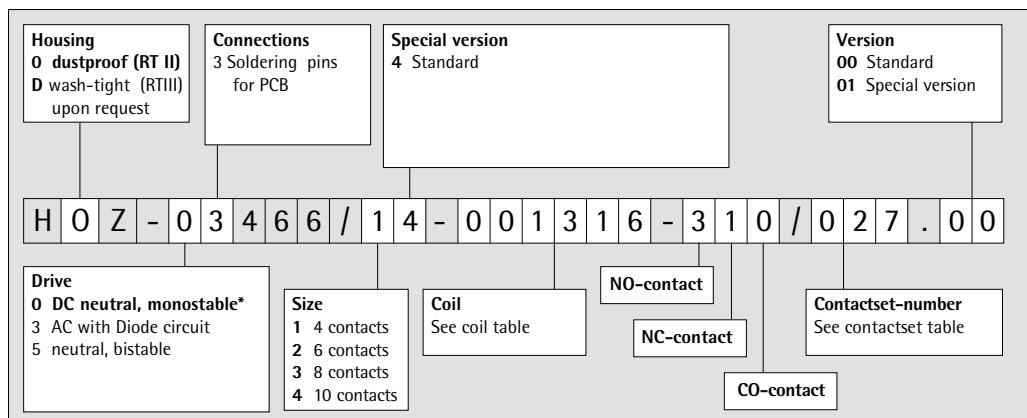
Insulation between	Nominal voltage network system		Air-/creeping distance	Test voltage 50Hz/60s
	AC 120/240 V	AC 230/400 V		
Contact - Contact	V-I	B-I	> 3 mm	AC 2.500 V
Contactset - Drive	V-I	B-I	> 3 mm	AC 2.500 V

Safety Relay H-466

Dimensions



Type key



* Preferred version

Safety Relay H-466

Contactset table

Contact material AgCdO since 2018 no longer available!

Number of contacts NO/NC/CO-contacts	AgCdO + 0,2 µm Au	AgCdO + 5 µm Au	AgCdO + 10 µm Au	AgSnO ₂ + 0,2 µm Au	AgSnO ₂ + 5 µm Au	Contact material
220	028	033	054	055	056	Contactset- number
260	036	037	057	058	059	
310	027	032	060	061	062	
330	030	035	063	064	065	
350	018	022	066	045	047	
370	068	069	067	070	071	
420	029	034	072	073	074	
440	015	019	049	040	042	
530	017	021	075	044	046	
550	077	078	076	079	080	
620	016	020	048	041	043	
640	023	025	051	081	082	
730	038	039	052	083	084	
820	024	026	053	085	086	

All values at ambient temperature Tu = 20 °C

Coil table

Number of contacts
310
220

Coil-No.	Resistance R/Ω	Resistance- tolerance ±	U ₁ /V	U ₂ /V	U ₃ /V	U _{rück} /V	Printing U _{nom} /V
1228	33	5%	3,4	11,6	11	0,8	6
1323	110	6%	6,2	21,2	19	1,4	12
1316	480	8%	13,9	43,9	42	3,0	24
1312	1.700	7%	27,3	82,9	83	5,9	48
1311	2.700	7%	34,4	104,4	104	7,4	60
1306	10.000	9%	69,8	199,7	205	14,7	110
1303	40.000	12%	139,8	395,0	394	28,2	220

All values at ambient temperature Tu = 20 °C

Number of contacts
420

Coil-No.	Resistance R/Ω	Resistance- tolerance ±	U ₁ /V	U ₂ /V	U ₃ /V	U _{rück} /V	Printing U _{nom} /V
1228	33	5%	3,7	11,6	11	0,8	6
1323	110	6%	6,9	21,2	19	1,4	12
1316	480	8%	15,5	43,9	42	3,0	24
1312	1.700	7%	30,3	82,9	83	5,9	48
1311	2.700	7%	38,2	104,4	104	7,4	60
1306	10.000	9%	77,8	199,7	205	14,7	110
1303	40.000	12%	155,7	395,0	394	28,2	220

All values at ambient temperature Tu = 20 °C

Number of contacts
330

Coil-No.	Resistance R/Ω	Resistance- tolerance ±	U ₁ /V	U ₂ /V	U ₃ /V	U _{rück} /V	Printing U _{nom} /V
1228	33	5%	4,1	11,6	11	0,8	6
1323	110	6%	7,6	21,2	19	1,4	12
1316	480	8%	17,1	43,9	42	3,0	24
1312	1.700	7%	33,5	82,9	83	5,9	48
1268	2.650	7%	39,5	103,5	98	7,0	60
1306	10.000	9%	86,0	199,7	205	14,7	110
1303	40.000	12%	172,2	395,0	394	28,2	220

U₁: Minimum operating voltage with consideration of coil self heating
 U₂: Thermal restricted maximum coil voltage
 U₃: Maximum admissible coil voltage to realize a contact gap of > 0.5 mm also at a contact fault
 U_{rück}: Releasing voltage

Further coils are possible and available

Saftey Relay H-466

All values at ambient temperature $T_u = 20\text{ °C}$

Coil table
Number of contacts
530

Coil-No.	Resistance R/ Ω	Resistance- tolerance \pm	U_1/V	U_2/V	U_3/V	$U_{rück}/V$	Printing U_{nom}/V
1131	25	5%	3,4	10,1	9	0,6	6
1223	96	6%	7,3	19,8	19	1,3	12
1219	320	10%	13,6	35,6	32	2,3	24
1213	1.180	8%	26,9	68,8	66	4,7	48
1212	1.870	7%	34,1	87,0	85	6,0	60
1208	5.750	7%	60,6	152,1	148	10,6	110
1105	18.200	10%	110,3	268,6	262	18,7	220

All values at ambient temperature $T_u = 20\text{ °C}$

Number of contacts
620

Coil-No.	Resistance R/ Ω	Resistance- tolerance \pm	U_1/V	U_2/V	U_3/V	$U_{rück}/V$	Printing U_{nom}/V
1131	25	5%	3,6	10,1	9	0,9	6
1223	96	6%	7,7	19,8	19	1,9	12
1219	320	10%	14,3	35,6	32	3,2	24
1213	1.180	8%	28,2	68,8	66	6,6	48
1212	1.870	7%	35,8	87,0	85	8,5	60
1208	5.750	7%	63,6	152,1	148	14,8	110
1105	18.200	10%	115,7	268,6	262	26,2	220

All values at ambient temperature $T_u = 20\text{ °C}$

Number of contacts
350
440

Coil-No.	Resistance R/ Ω	Resistance- tolerance \pm	U_1/V	U_2/V	U_3/V	$U_{rück}/V$	Printing U_{nom}/V
1131	25	5%	4,1	10,1	9	0,9	6
1223	96	6%	8,8	19,8	19	2,0	12
1219	320	10%	16,3	35,6	32	3,5	24
1213	1.180	8%	32,3	68,8	66	7,0	48
1212	1.870	7%	40,9	87,0	85	9,1	60
1208	5.750	7%	72,8	152,1	148	15,9	110
1105	18.200	10%	132,6	268,6	262	28,1	220

All values at ambient temperature $T_u = 20\text{ °C}$

Number of contacts
260
550
640

Coil-No.	Resistance R/ Ω	Resistance- tolerance \pm	U_1/V	U_2/V	U_3/V	$U_{rück}/V$	Printing U_{nom}/V
1131	25	5%	4,1	10,1	9	0,6	6
1223	96	6%	8,8	19,8	19	1,3	12
1718	350	7%	16,7	37,6	35	2,5	24
1269	1.560	8%	36,7	79,0	75	5,3	48
1168	2.280	7%	46,0	96,0	95	6,8	60
1708	6.500	7%	74,4	161,7	153	10,9	110
1105	18.200	10%	132,6	268,6	262	18,7	220

U_1 : Minimum operating voltage with consideration of coil self heating
 U_2 : Thermal restricted maximum coil voltage
 U_3 : Maximum admissible coil voltage to realize a contact gap of > 0.5 mm also at a contact fault
 $U_{rück}$: Releasing voltage

Further coils are possible and available

Safety Relay H-466

All values at ambient temperature $T_u = 20\text{ °C}$

Coil table

Number of contacts

730

820

Coil-No.	Resistance R/ Ω	Resistance- tolerance \pm	U_1/V	U_2/V	U_3/V	$U_{rück}/V$	Printing U_{nom}/V
1131	25	5%	3,6	10,1	9	0,6	6
1323	110	6%	7,9	21,2	19	1,4	12
1718	350	7%	14,6	37,6	35	2,5	24
1269	1.560	8%	32,1	79,0	75	5,3	48
1168	2.280	7%	40,2	96,0	95	6,8	60
1708	6.500	7%	65,1	161,7	153	10,9	110
1504	32.000	11%	150,3	354,7	336	24	220

U_1 : Minimum operating voltage with consideration of coil self heating

U_2 : Thermal restricted maximum coil voltage

U_3 : Maximum admissible coil voltage to realize a contact gap of $> 0,5\text{ mm}$ also at a contact fault

$U_{rück}$: Releasing voltage

Further coils are possible and available

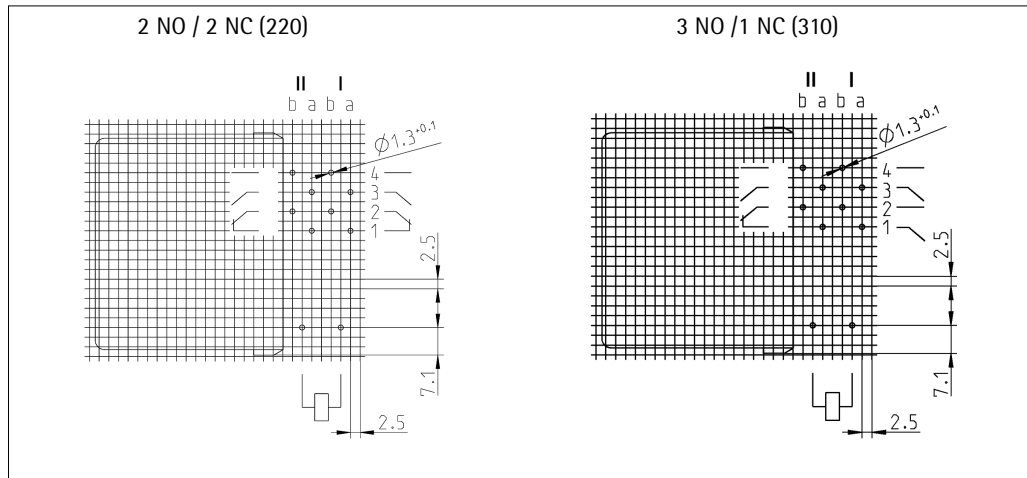
Running types

Article-No.	Type key	Printing U_{nom}	U_1/V	U_2/V	U_3/V	$U_{rück}/V$
466-1393	HOZ-03466/34-001219-620/043.00	DC 24 V	14,3	35,6	32	3,2
466-1392	HOZ-03466/14-001316-310/062.00	DC 24 V	13,9	43,9	42	3,0
466-1400	HOZ-03466/34-001219-350/047.00	DC 24 V	16,3	35,6	32	3,5
466-1416	HOZ-03466/14-001182-220/056.00	DC 7 0 V	40,0	130,3	121	8,7
466-1415	HOZ-03466/14-001316-220/055.00	DC 24 V	13,9	43,9	42	3,0
466-1418	HOZ-03466/24-001312-330/065.00	DC 48V	33,5	82,9	83	5,9
466-1417	HOZ-03466/14-001312-220/056.00	DC 48 V	27,3	82,9	83	5,9
466-1419	HOZ-03466/44-001213-640/082.00	DC 48 V	32,3	68,8	66	4,7
466-1401	HOZ-03466/24-001316-420/074.00	DC 24 V	15,5	43,9	42	3,0
466-1390	HOZ-03466/24-001316-330/065.00	DC 24 V	17,1	43,9	42	3,0
466-1426	HOZ-03466/14-001323-220/056.00	DC 12 V	6,2	21,2	19	1,4
466-1391	HOZ-03466/34-001223-440/042.00	DC 12 V	8,8	19,8	19	2,0
466-1395	HOZ-03466/34-001219-440/042.00	DC 24 V	16,3	35,6	32	3,5
466-1412	HOZ-03466/34-001213-440/042.00	DC 48 V	32,3	68,8	66	7,0
466-1393	HOZ-03466/34-001219-620/043.00	DC 24 V	14,3	35,6	32	3,2
466-1427	HOZ-03466/24-001323-330/065.00	DC 12 V	7,6	21,2	19	1,4
466-1430	HOZ-03466/34-001212-440/042.00	DC 60 V	40,9	87,0	85	9,1
466-1399	HOZ-03466/44-001223-550/080.00	DC 12 V	8,8	19,8	19	1,3

Safety Relay H-466

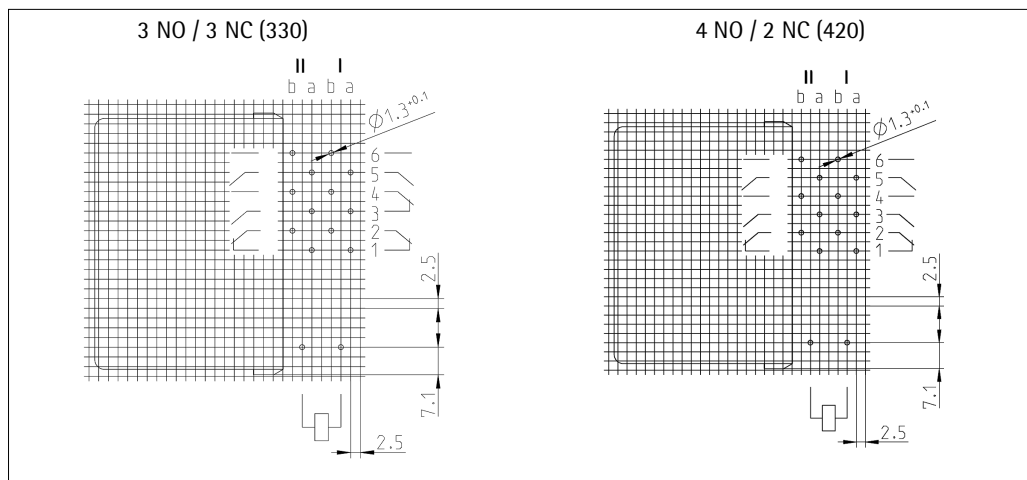
Connection grid
View on soldering side

Size 1



Connection grid

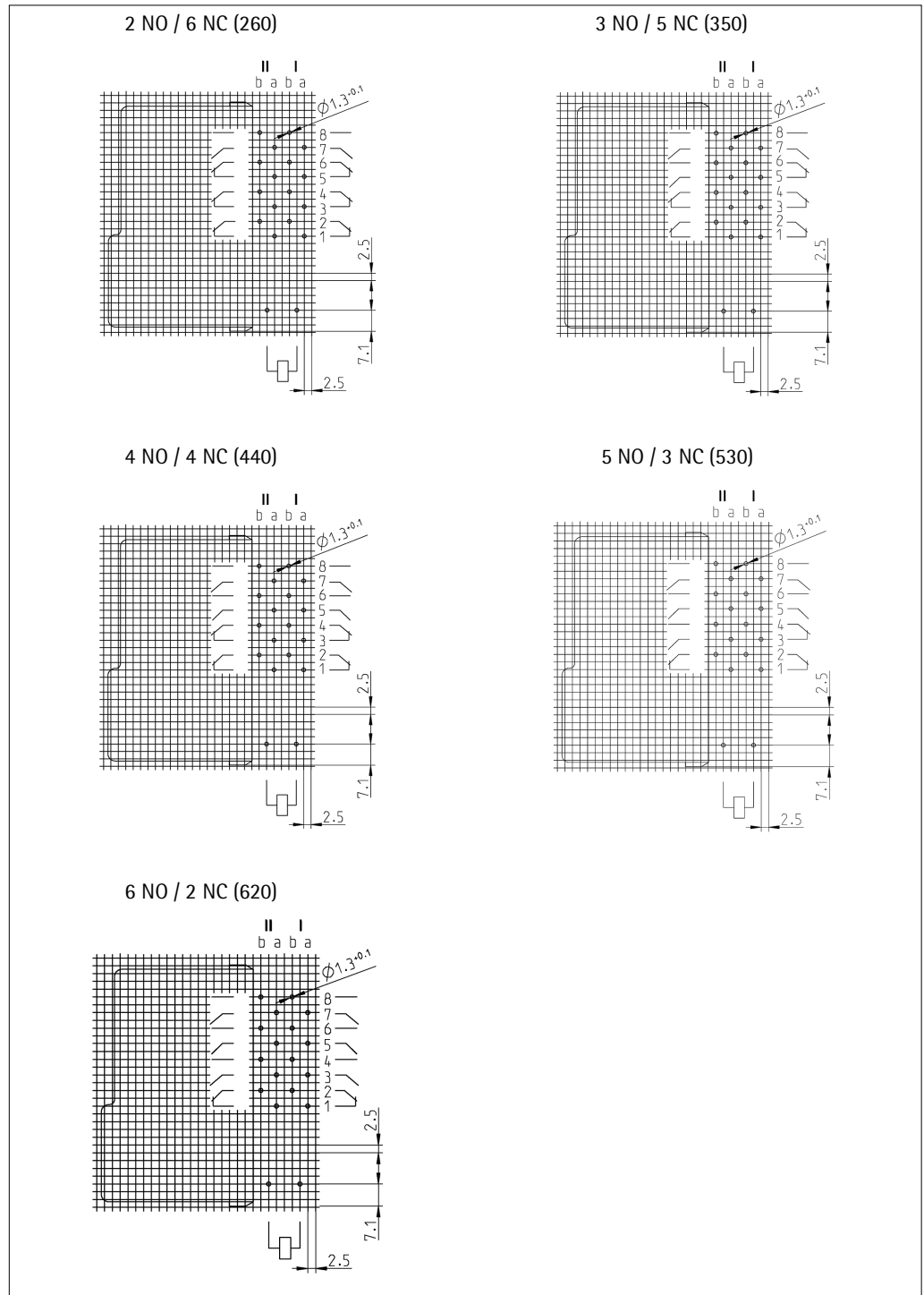
Size 2



Safety Relay H-466

Connection grid

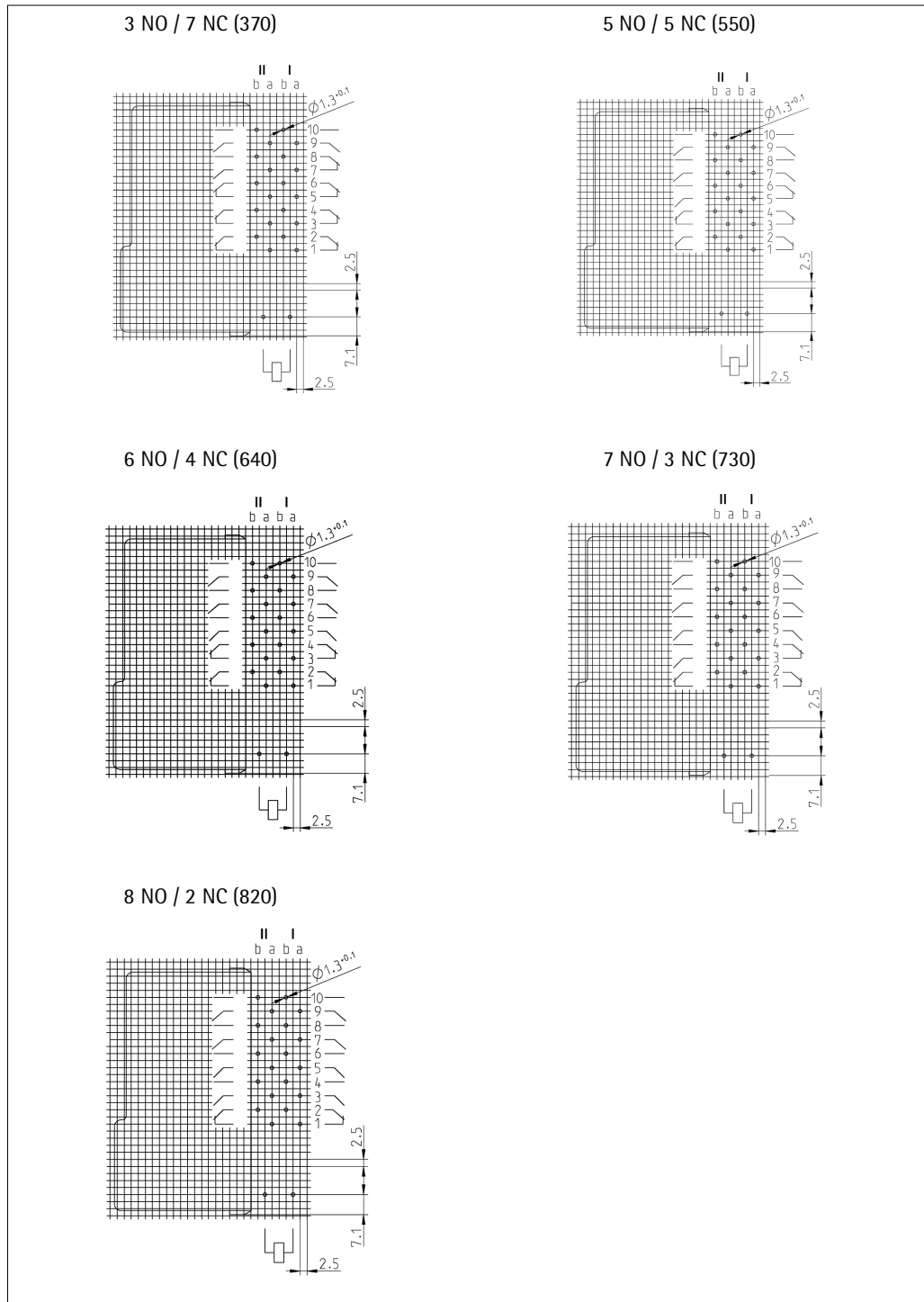
Size 3



Safety Relay H-466

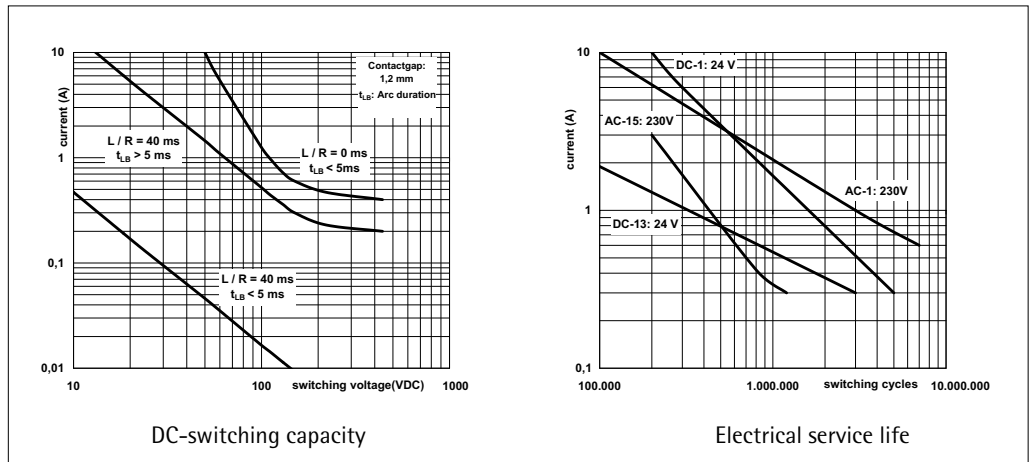
Connection grid

Size 4



Safety Relay H-466

Diagrams



Accessories

