

TECHNICAL DATASHEET

Cutter Type L



- 12V and 24V versions and 3 different sizes provided.
- The media is cut by a flat blade with two cutting edges simultaneously for fast cutting cycles.
- The simple circuitry with a brushed DC motor and microswitch makes it easy to integrate the cutter in virtually any application.
- The home position of the cutter blade is signaled by an internal microswitch.
- The cutter motor can be stopped by short-circuit brake method.

TECHNICAL DATA

Cutter Type	Linerless Cutter	
Cutting method	Guillotine	
Cutter Motor	Brushed DC motor	
Cutting type	Full Cut	
Operating Voltage	12 VDC ± 10%	24 VDC ± 10%
Current Draw (at 20°C)		
Starting Current peak	2,4 A	1,2 A
No-load Current typ.	0,24 A	0,12 A
Cutting Current typ.	1,0 A	0,5 A
Blocking Current ¹⁾	2,4 A	1,2 A
Cutting cycle time	≤400 ms	
Paper Weight	min 60 g/m ² to max. 120 g/m ²	
Service Life ²⁾	1,000,000 cut cycles	

DIMENSIONS

Dimensions L x B x H (mm)	85 x 67 x 21	112 x 69,5 x 24	140 x 69,5 x 24
Channel width	63 mm	90 mm	118 mm
Paper width	≤ 60 mm	≤ 87 mm	≤ 114 mm
Product Weight	160 g	320 g	360 g
Paper Weight	min 60 g/m ² to max. 120 g/m ²		
Mounting	2 tags and 2 threaded holes for M3 screws		
Mounting orientation	any ³⁾		
Electrical connection	Ribbon cable with 5-pin JST-plug (Customized harnessing on request)		

All specifications subject to change without prior notice.

Data Sheet	© Hengstler GmbH Umlandstr. 49 D-78554 Aldingen/ Germany ☎ +49 74 24 -89 0 Fax +49 74 24 - 89 500 E-mail: info@hengstler.com Internet: www.hengstler.com	Page
D-685-045		1/5

TECHNICAL DATASHEET

Cutter Type L

ENVIRONMENTAL

Operating Temperature (°C)	-10...+60
Storage Temperature(°C)	-40...+70
Humidity of Medium	max 65% RH, no condensation
Noise emission (distance 30 cm, $V_B + 10\%$)	75 dB(A)
Safety class	III (SELV)
Protection class IEC 144 (DIN 40050)	IP 10 ⁴⁾
Vibration performance (IEC 68-2-6)	50 m/s ² , f = 10...500 Hz
Shock resistance (IEC 68-2-27)	800 m/s ² , 6 ms
EMC - Emissions	EN 50 082-2 ⁵⁾
Drop test (Post, DIN ISO 2206, 2233, 2246)	passed

NOTES

- 1) In the event of a error condition (e.g. blockage of the cutter blade), the customer must take measures to reduce the motor current (e.g. by a PTC resistor), or to swith the motor off completely after < 1 second.
- 2) Paper grade is within specifications. Environmental conditions may impact service life.
Depending on the type of linerless glue used, it may be required to remove glue residues from the cutter knives in regular intervals.
- 3) It must be ensured that no paper/label remains in the cutting area before any next cut action is initiated.
- 4) Caution! There is a risk of injury on the movable flat blade. Safety regulations must be observed by the customer.
- 5) It must be ensured by installation that the limits for radio emission of the appropriate target application are not exceeded.

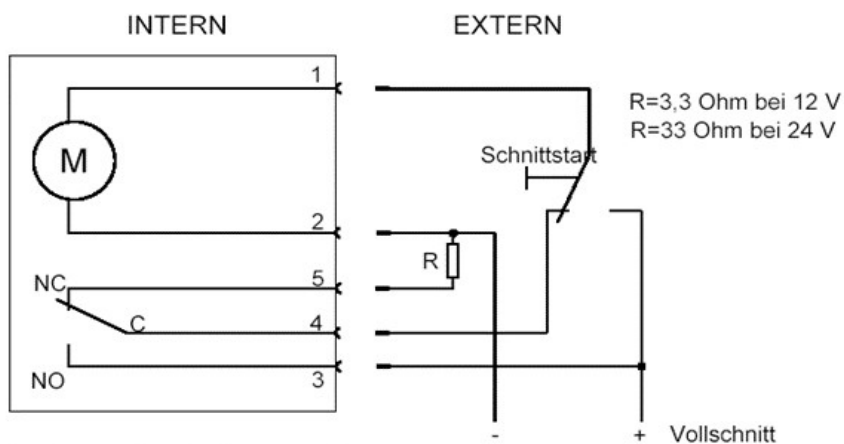
All specifications subject to change without prior notice.

Data Sheet	© Hengstler GmbH Umlandstr. 49 D-78554 Aldingen/ Germany	Page
D-685-045	+49 74 24 -89 0 Fax +49 74 24 - 89 500 E-mail: info@hengstler.com Internet: www.hengstler.com	2/5

TECHNICAL DATASHEET

Cutter Type L

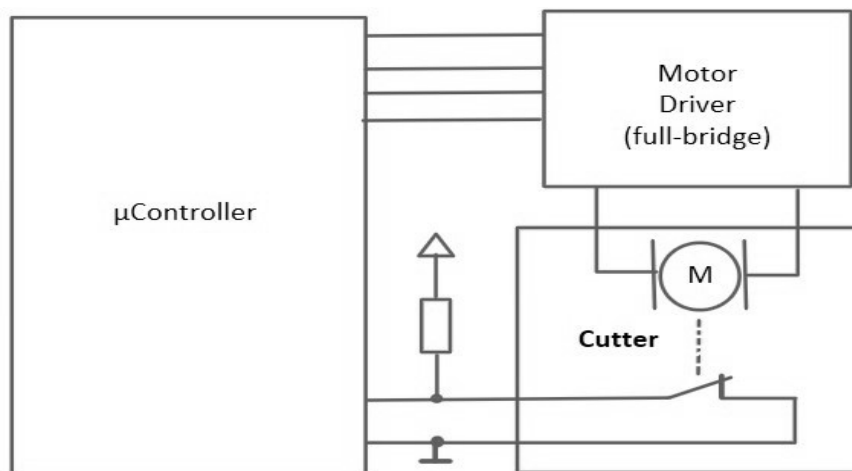
CONNECTION DIAGRAM SPDT METHOD



In Messer-Grundstellung gezeichnet

External start pulse by	SPDT contact
Start pulse length	≥100 ms
Note: This method requires that the cutter is equipped with a microswitch with silver-plated contacts. Please speak to Hengstler.	

CONNECTION DIAGRAM ELECTRONIC CONTROL (Typical Circuitry)



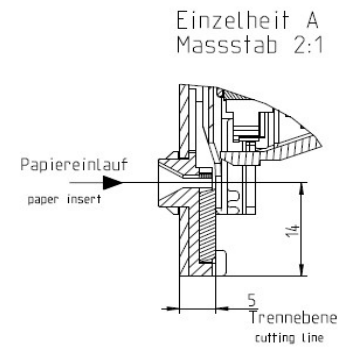
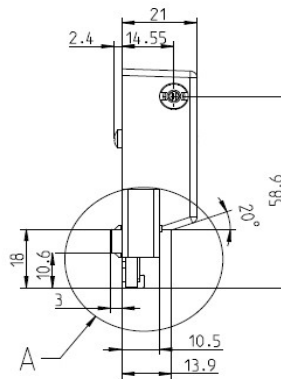
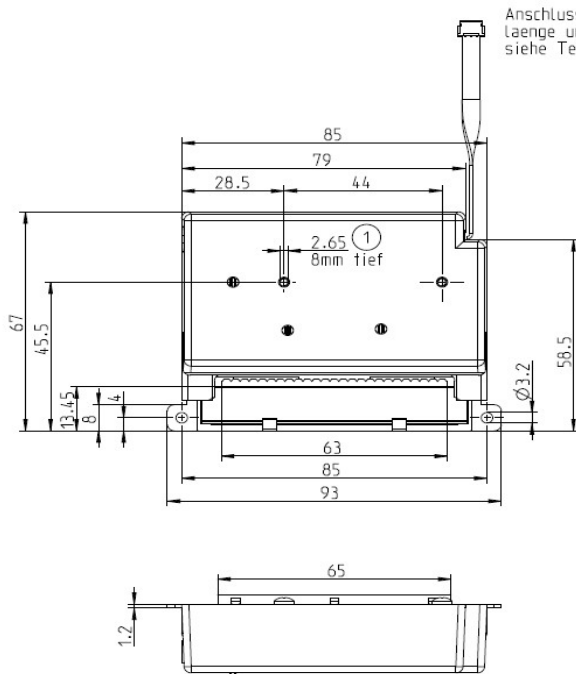
Note:
Chose a motor driver IC that is capable of delivering the cutter peak current and which offers a brake function.

All specifications subject to change without prior notice.

TECHNICAL DATASHEET

Cutter Type L

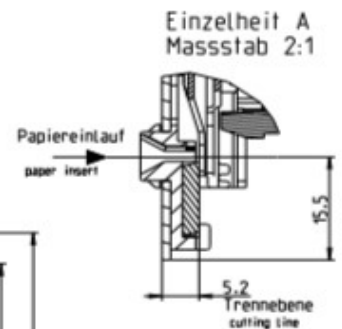
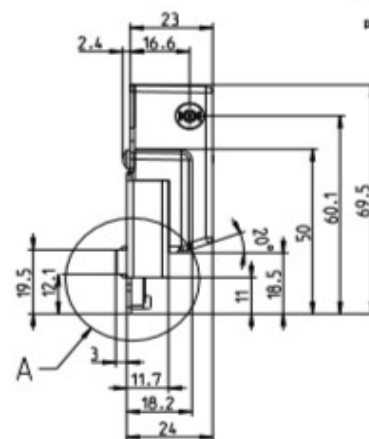
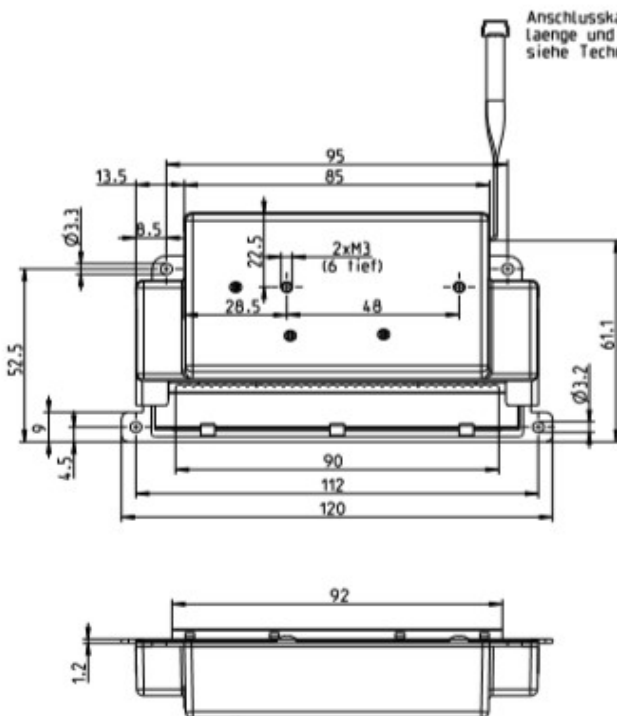
DIMENSIONED DRAWING
63 mm Version



① fuer Schrauben M3

Dimensions in mm

DIMENSIONED DRAWING
90 mm Version



Dimensions in mm

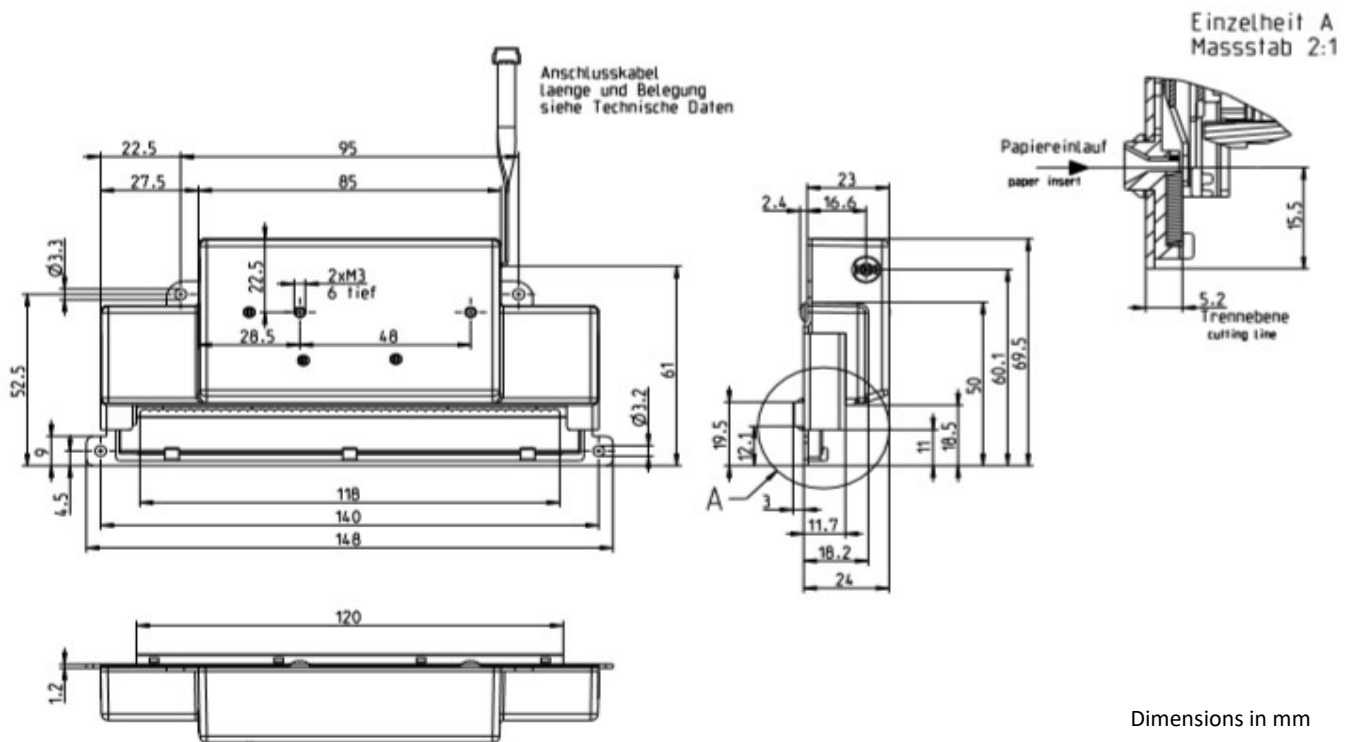
All specifications subject to change without prior notice.

Data Sheet	© Hengstler GmbH Umlandstr. 49 D-78554 Aldingen/ Germany	Page
D-685-045	+49 74 24 -89 0 Fax +49 74 24 - 89 500 E-mail: info@hengstler.com Internet: www.hengstler.com	4/5

TECHNICAL DATASHEET

Cutter Type L

DIMENSIONED DRAWING
118 mm Version



Dimensions in mm

ORDER INFORMATION

Voltage	Max. Paper Width (mm)	Max. Paper Weight (g/m ²)	Contacts	Cable Harness	Ordering Code
12 VDC	63	120	Silver	Ribbon cable L=320 mm with JST connector	0685740
24 VDC	63	120	Silver	Ribbon cable L=320 mm with JST connector	0685741
24 VDC	90	120	Silver	Ribbon cable L=320 mm with JST connector	0685743
12 VDC	118	120	Silver	Ribbon cable L=320 mm with JST connector	0685744
24 VDC	118	120	Silver	Ribbon cable L=320 mm with JST connector	0685745
12 VDC	118	120	Gold	Ribbon cable L=390 mm with 5-pol JST connector	0685746
24 VDC	118	120	Gold	Ribbon cable L=165 mm with JST connector PHR-4	0685747

CABLE HARNESS OPTIONS

Description

Ribbon cable L=242 mm with 5-pol Molex connector

Ribbon cable L=178 mm with 5-pol Molex connector

Ribbon cable L=390 mm with 5-pol JST connector

Ribbon cable L=165 mm with JST Stecker PHR-4

Ribbon cable L=176 mm with AMP-connector

Ribbon cable L=102 mm with JST connector PHR-5

All specifications subject to change without prior notice.

Data Sheet	© Hengstler GmbH Umlandstr. 49 D-78554 Aldingen/ Germany	Page
D-685-045	+49 74 24 -89 0 Fax +49 74 24 - 89 500 E-mail: info@hengstler.com Internet: www.hengstler.com	5/5